

About the Open Call for Company Exhibitions on INTERPRAEVENT2026 in Sapporo, Hokkaido

○Time table(Draft)

October 20 th (Tue)	AM 9:00 ~12:00	Exhibitors set their booths
	PM13:00 ~17:00	Exhibition
October 21 st (Wed)	AM 8:30 ~18:30	Exhibition
October 22 nd (Thr)	AM 8:30 ~12:00	Exhibition
	PM 12:00~17:00	Exhibitors remove the booths

○Local

Sapporo Convention Center 2nd Floor, Room 201+202



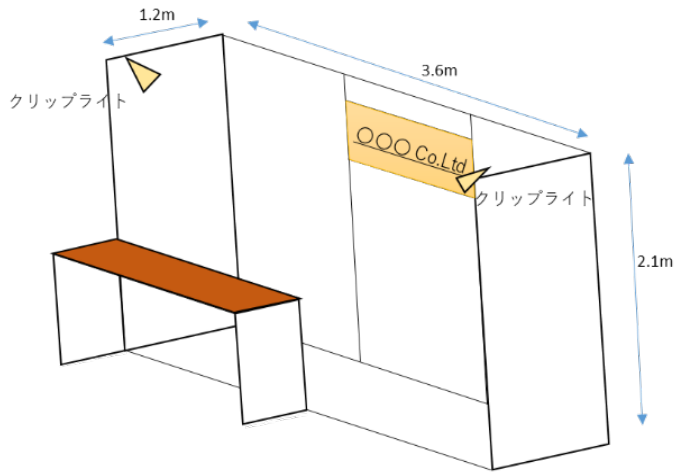
Google Map
to Sapporo Convention Center



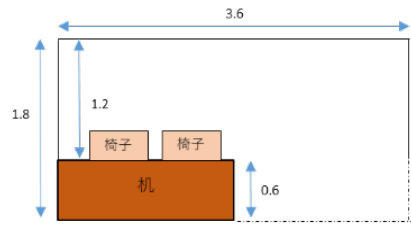
○Price for participant of this Exhibition

	Price	Size	Remarks
Gold class	¥330,000	W: 3.6m D: 1.8m H: 2.1m	Power source, a desk, two chairs and two ramps are free. Some persons free registrations will
Silver class	¥220,000	W: 2.4m D: 1.8m H: 2.1m	be provided for the members of your company, in case of Gold class is three, Silver class is tow.

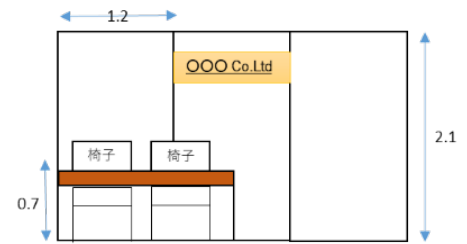
Booth for Gold



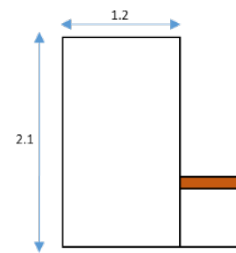
Example of booth layout (in case of 1 desk and 2 chairs)



Top view

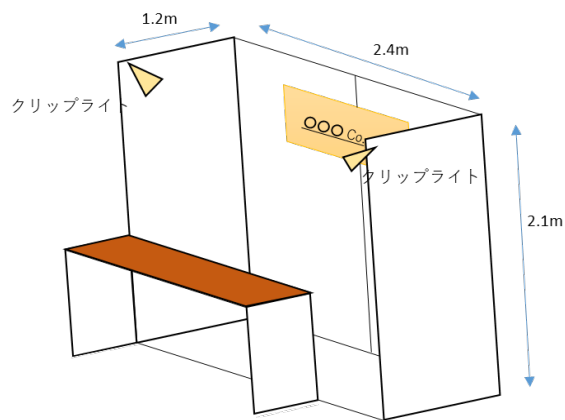


Front view

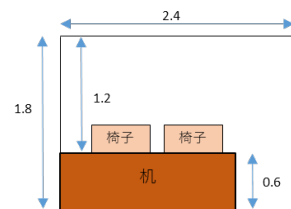


Side view

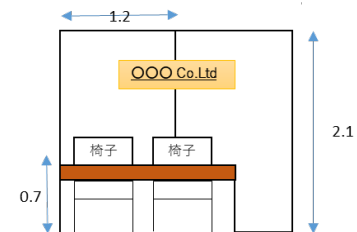
Booth for Silver



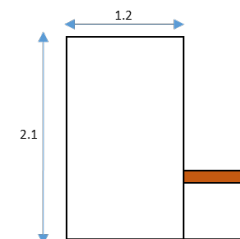
Example of booth layout (in case of 1 desk and 2 chairs)



Top view



Front view



Side view